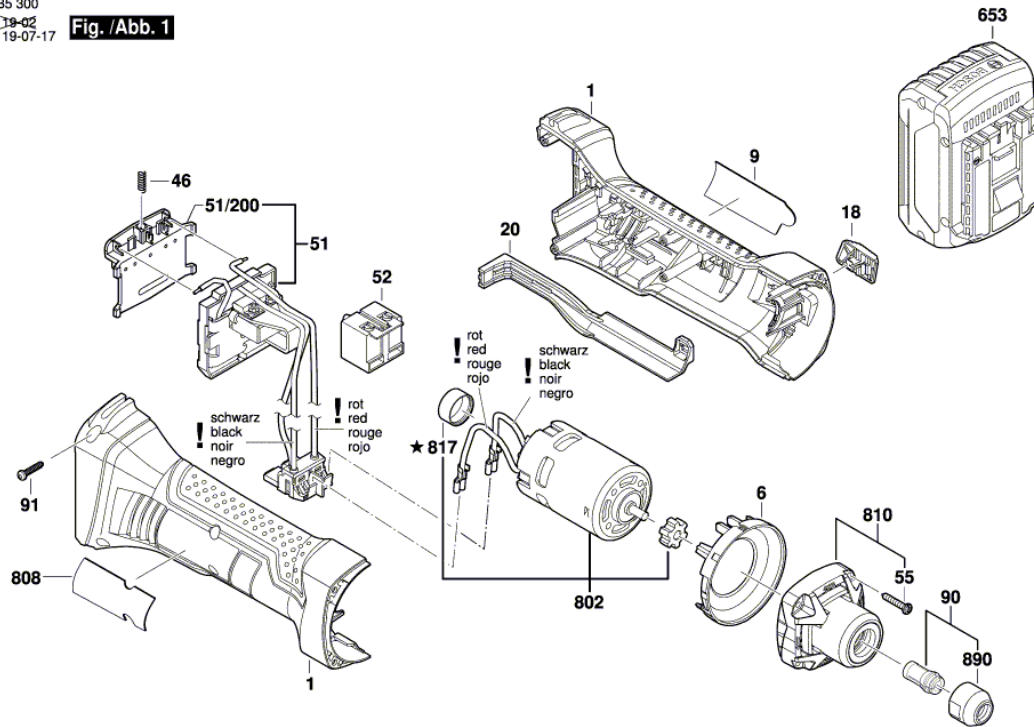


Illustration - Type - E

3 601 JB5 300
Stand | 19-02
Issue | 19-07-17

Fig. /Abb. 1

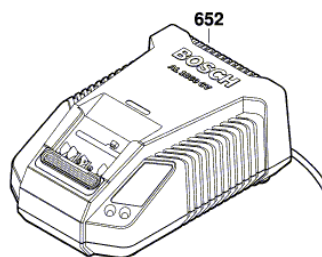


Änderungen vorbehalten
Modifications reserved
Modifications réservées
Salvo modificaciones

★ Alternativ
Alternative
Alternatif
Alternativo

Illustration - Type - E

3 601 JB5 300
Stand } 11-05-30 **Fig./Abb. 2**
Issue }



Änderungen vorbehalten
Modifications reserved
Modifications réservées
Salvo modificaciones

Spare parts list

Item	Part Number	Description	Illustration
1	1 605 108 282	Housing Section BLUE	1
6	1 600 591 046	Air-Deflector Ring	1
9	3 601 110 541	Manufacturer's nameplate	1
18	1 602 025 071	Switch Button	1
20	1 602 319 023	Adjusting Slide	1
46	1 609 280 477	Compression Spring	1
51	1 607 233 340	Electronics Module	1
51/200	1 609 280 478	Contact retainer	1
52	2 607 202 071	On-Off Switch	1
55	2 603 490 024	Torx Oval-Head Screw 4x25	1
90	3 607 030 474	Clamping Unit Ø6 MM	1
91	1 603 435 071	Thread-forming tap. Screw	1
653	1 607 A35 0B2	Battery Pack 18V 3.0Ah Li SCM	1
802	1 607 000 D8D	DC motor	1
808	1 601 11A 4XH	Nameplate	1
810	3 607 031 703	Spindle nose	1
817	1 600 A00 1PY	Cover	1
890	3 603 313 006	Round Nut	1
652	2 607 225 321	Charger EU 230/14,4-18V, 30 40 S	2